

We customise to your design



Since 1967



Architectural Products in Metal

RainNE
RainTech
Roof Drainage System

BuNos
Fascia Capping

cube
wall panel
Wall Panel &
Ceiling System

AIRLOUVERS
Ventilation Louvers

SHADER
Box Louvers



About Us

SENG YOON SENG HOLDINGS SDN BHD (SYS) is one of the leading manufacturers of international quality rainwater management products. Formed in 1967 as a small tinsmith, the company has garnered an enviable track record in Malaysia's building industry, providing customers with the finest custom-made and decorative rainwater management products with our 49 years of solid and practical problem solving and installation experience. The company has established strong foundations in developing its rock solid reputation in handling projects of all scale.

Our core products include RainTech and RainNe Gutter System, Air Louvers, Shaders, BuNos Fascia Cappings, Soffits and Cappings and Qube Panel Ceiling System.



Safety Requirements

We follow strict guidelines and safety measures to fulfill necessary safety requirements for all projects.

Reputation

With 45 years of experience in fabricating, installing and providing great support, we are fast, flexible and have a reputation as a technology leader, with innovations such as RainNe and RainTech Gutter System, BuNos Soffits, Fascias and Copings, Air Louvers Shaders and Qube Panel Ceiling System.

Our reputation and long list of satisfied customers attest to our superior craftsmanship, attention to detail, honesty and integrity.

Our Strengths

SYS has been constantly producing quality world class products for over 49 years. Furthermore, we provide extensive technical support to our customers on an individual project basis with complete drawings and calculations.

Technology

We have well equipped facilities using state-of-the art German fabrication machines, customizable to bend profile up to 7m in length, cut-to-length uncoiler and more.

Customer First Policy

SYS believes in putting our valued customers first. From the preliminary to progressive meetings, right up to sorting out issues, SYS puts you, the customer at the top of our agenda. We will listen and understand your needs so that it becomes ours, and we will deliver the solutions to you. This makes us a reliable partner throughout the life-cycle of the building or home.

Process-driven

We support our customers every step of the way; from design, manufacturing and installation to providing sound technical support.

Delivery

We meet all deadlines no matter the size of the projects.



Green Technology

Our products using aluminium are categorized as "green" products as it is a long lasting material and also recyclable in the future.

The RainNe and RainTech rainwater gutter can also be installed with a rainwater harvesting system.

SYS is a member of MALAYSIA GREEN BUILDING CONFEDERATION (<http://www.greenpagesmalaysia.com>)

SYS Products



RainNe – Residential Gutter Systems

Gutter System designed for residential. Each design is unique and functional which can be used to add classic and decorative features to your home or building.



RainTech – Commercial Gutter Systems

High performance rain gutter system for commercial buildings. A wide range of designs and materials to meet all types of buildings and budgets. We are able to provide a technical report for the gutter size and rain water down pipe size for consultants and engineers.



Rain Harvesting System

A complete rainwater harvesting system with “Green” gutter and customizable stainless steel water tank. The complete Aluminium Gutter System with Slim Tank is a perfect match for going green with space constraint project.



BuNos Fascias and Soffits

BuNos Fascias and Soffits are the ideal solutions for roof edge protection that suit all designs and budgets. BuNos’ systems are manufactured using high quality, polyester coated aluminium or aluminium-zinc that are available in several custom-made, bold generic shapes and with many designs to choose from.



Qube Panel and Strip Ceiling Systems

The Qube Panel and Strip Ceiling Systems are secretly-fixed modular planking system that works on overhanging soffits and canopies or as part of a BuNos fascias scheme. Qube panel and strip ceiling systems are formed from flat metal sheet and can be aluminium or aluminium-zinc.



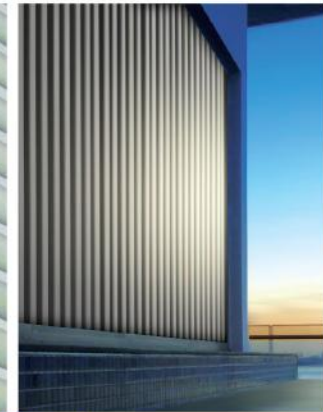
Air Louvers – Ventilation Louvers

Specializes in optimizing air circulation and controlling sunlight intensity of the building. The blades are available in various designs, whether end or bracket fixed. For maximum rain resistance, Triple Banks Louvers is recommended for maximum rain resistance.



Operable Louvers – Ventilation Louvers

Sustainable solutions that cleverly adjusts the amount of air and sunlight into your building. The louver’s blades can be opened and closed, either manually or automatically (motorized).



Shader – Sun Shade Louvers

Controls sunlight intensity and provide privacy. The blades design have many profiles such as L Shape, Box Type and Tapered Box Type. It is an art of bending sun ray.



 **BuNos**

Fascia Capping,
Soffits Panel and
Strip Ceiling

BuNos

Form To Fit The Function

BuNos Fascia Cappings, Soffits & Qube Panel & Strip Ceiling System

From a simple fascia cover to more complex styles and profiles, SYS's full design service will deliver the style you want, manufactured to comply with all appropriate international standards for a wide range of applications on commercial, domestic and industrial buildings.

The BuNos architectural fabrication system is designed to beautify and protect the roof overhang, providing a maintenance-free and energy-efficient overhang system. Available in most colours, our tailor-made system will keep its appearance throughout its use.

BuNos' designer Fascia and Soffit configurations is a collection of ideas which allows the architect creative freedom to conceptualize and create highly distinctive fascias, soffit panels and cassettes. These can be further detailed and fabricated in a multitude of shapes and sizes to suit specific project requirements of any size and budget.

Design

From the earliest inception sketches to even the most elaborate concepts - SYS ensures optimum design for maximum performance. Truly form to fit the function.

Product Development

SYS continuously invests in research and development to ensure that we continue to deliver innovative products that is of highest quality and on par with international standards

Delivery & Installation

SYS will maximise both delivery schedules and installation details to make on-site operations efficient and trouble free.



Aluminium is sustainable

A "Green" Material

- Aluminium has a high market value and continues to provide an economic incentive to recycle. It can be recycled indefinitely without losing any of its superior characteristics.

Lightweight

- Aluminium weights less by volume than most other metals. Its lightweight characteristic will not burden the building structure.

Strong

- Aluminium profiles can be made as strong as needed for most applications such as Facias, Soffits, Copping, Panel and Strip ceiling. Aluminium's strength and versatility allows for many custom-made combination of shapes and styles.

Non-corrosive

- Aluminium does not rust. It is protected by its own naturally occurring oxide film, a protection that can be further enhanced by anodizing or powder coating finishing techniques.

Low maintenance

- Apart from routine cleaning for visual reasons, aluminium requires minimal maintenance.



Practicality & Sustainability

BuNos Fascia Cappings

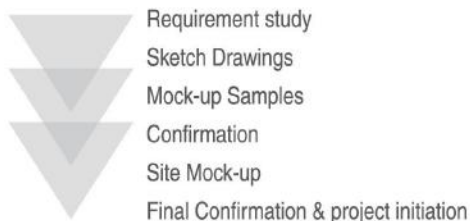
What are Fascias and Soffits

Fascia is an architectural term that refers to a frieze or band running horizontally that is situated vertically under the roof edge. Fascias can also be elements that form the outer surface of a cornice that is visible from the outside.

Soffit is an architectural term that refers to the underside of any construction element. Some examples are the underside of a staircase and the underside of an arch. They are also known as eaves.

SYS's expertise in Fascias and Soffits

Our team of professional aluminium experts is here to answer your questions and provide you with the best advice on choosing the right products for your residential and commercial properties, condominiums and industrial buildings. Our workflow methodology starts from a comprehensive requirement study entailing sketch drawings, mock-ups, right up to the final confirmation and order.



BuNos Fascias and Soffits are the ideal solutions for roof edge protection that suit all designs and budgets. BuNos system are manufactured using high quality, polyester coated aluminium that are available in several custom-made, bold generic shapes and with many designs to choose from.

At SYS, we believe that your fascias and soffits can be creatively designed to enhance the look of your building or home.

Applications

- Totally new build roof perimeter and design
- Matches and suits the standard soffit panel system
- Compatible with RainNe gutters for enhanced eaves and drainage solution

Features

- Lightweight, durable and non-corrodible
- Water and rain-resistant
- Easy installation
- 100% recyclable without any loss of quality
- Joints with sealant, stepped or butt joints secured with concealed screws
- Internal bracket support system

Colour & Finishing

- Tailor-made finishing and special colour choices
- Also available in plain mill finish for on-site painting

Installation

- On-site delivery in pre-designed kit form
- Project specific support brackets to avoid on-site modification
- Saves maintenance time & cost



Also available in other materials

Galvanised Steel

Pre painted Galvanised Steel

Aluminium-Zinc

Practicality & Sustainability

Qube Panel And Strip Ceiling Systems

The Qube Panel and Strip Ceiling Systems are secretly-fixed modular planking system that works on overhanging soffits and canopies or as part of a BuNos fascias scheme. Qube panel and strip ceiling systems are formed from flat metal sheet and can be aluminium or aluminium-zinc.

For a more uninterrupted appearance to the soffit, Qube offers several soffit panel options where both systems are available to suit any width of soffit.



Applications:

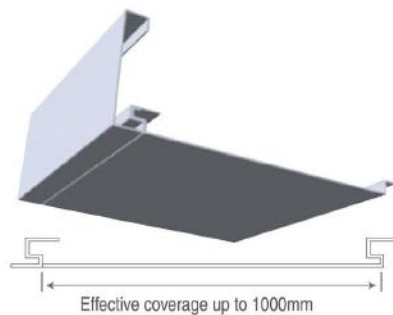
- Overhang canopy
- Soffits
- Building ceiling

Features:

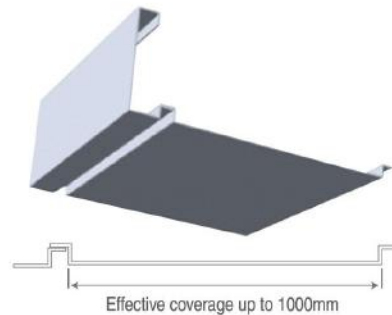
- Available in variable widths from 150 to 600mm
- Individual panel lengths up to 2.44 metres
- Simple and easy to install
- No visible fixings
- Virtually maintenance free
- Lightweight, durable and anti-corrosion
- Choice of standard, polyester powder-coated colours



Joint method :

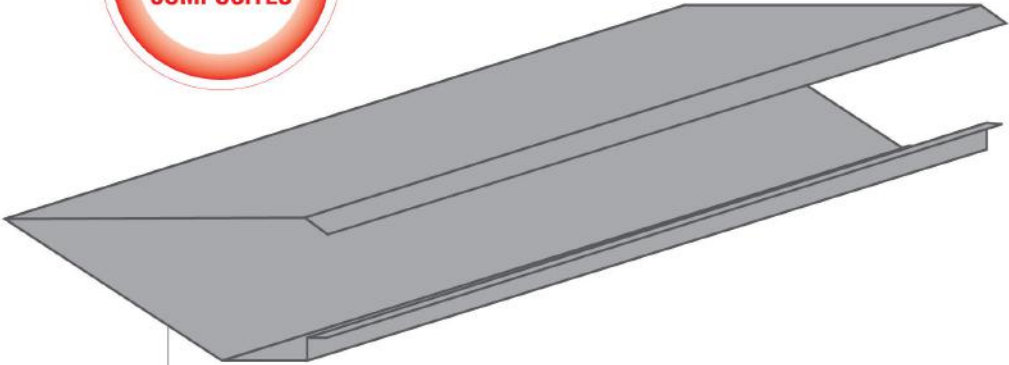


Hair Line Joint

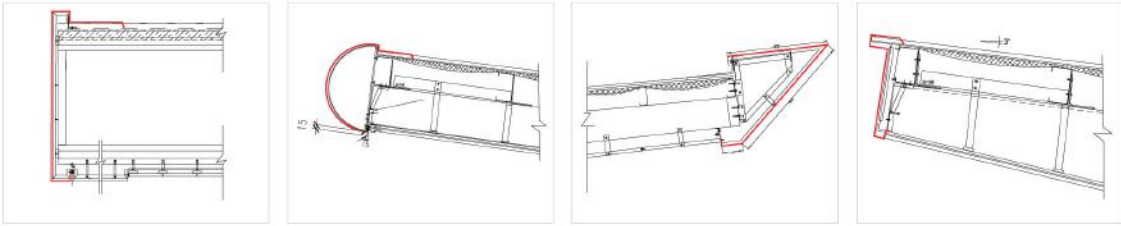


Groove Line Joint

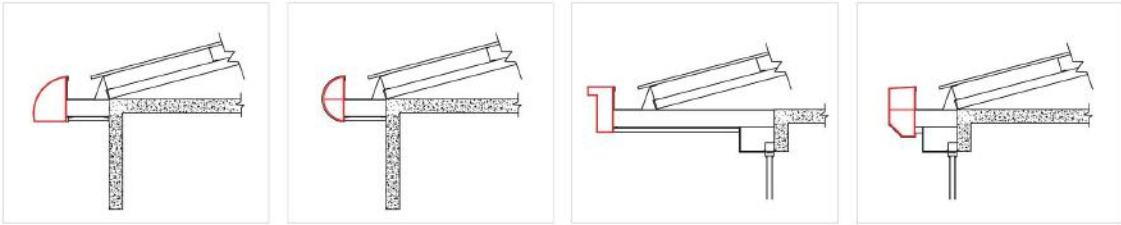
Simple to install | Flexible to bend | Value for Money



BuNos Sheet Metal



Standard BuNos Profile Designs For Commercial Use



Standard BuNos Profile Designs For Residential Use



Specifications Guide

Item	Description	Qty	Unit
1.	BuNos Aluminium Fascia Capping		
	<p>SYS's BuNos 0.70mm thk 900mm girth with BuNos supporting bracket 3mm thk x 25mm at every 600mm spacing</p> <p>Material : Aluminium substrate</p> <p>Blade Thickness : 0.70mm TCT</p> <p>Colour : Standard Colour.</p>	1	m ²
2.	BuNos Aluminium-Zinc Fascia Capping		
	<p>SYS's BuNos 0.53mm thk 900mm girth with BuNos supporting bracket 3mm thk x 25mm at every 600mm spacing</p> <p>Material : Aluminium - Zinc alloy substrate, Az150</p> <p>Blade Thickness : 0.53mm TCT</p> <p>Colour : Standard Colour.</p>	1	m ²
3.	Qube Aluminium Strip Ceiling		
	<p>Aluminium prepainted colour comes with galvanized iron carrier holder, trimming and bracing at 1200mm comes with all accordance to manufacturer's detail.</p>	1	m ²
4.	Qube Metal Strip Ceiling		
	<p>Galvanized Iron prepainted colour comes with galvanized iron carrier holder, trimming and bracing at 1200mm comes with all accordance to manufacturer's detail.</p>	1	m ²
5.	Qube Metal Panel		
	<p>Qube Metal Panel complete with frame and all necessary brackets and support accessories without main truss.</p> <p>Material : Aluminium-Zinc alloy substrate, Az150</p> <p>Blade Thickness : 0.53mm TCT</p> <p>Colour : Standard Colour.</p>	1	m ²

BuNos Project Reference



Specification:

Material : Clean Colorbond, Armour Grey

Thickness : 0.47mm TCT

Size : 1200mm Girth

BuNos Project Reference



Specification:

Material : Clean Colorbond, Off White

Thickness : 0.75mm TCT

Size : 1200mm Girth

BuNos Project Reference



Specification:

Material : Colorcoil Metallic Silver

Thickness : 0.47mm TCT

Size : 1200mm Girth

Our Project Profile





metal design **49** since 1967
years

We'd be more than happy to meet you

We know every project is unique. Regardless of the size of your project, we'd like to meet you to discuss your needs, and extend our professional services to you. We can be reached at

Seng Yoon Seng Holdings Sdn. Bhd. (323293-K)
No.46, Jalan Industri PBP 3, Taman Industri Pusat Bandar Puchong,
47100 Puchong, Selangor Darul Ehsan, Malaysia.

Tel: 03-5882 5086

Email: inquiry@sengyoonseng.com

Fax: 03-5882 5209

Website: www.sengyoonseng.com

